

MOUNTING INSTRUCTIONS

ECOSUN LOW-TEMPERATURE RADIANT HEATING PANELS**IKP, IN, IN-2**

Type	Dimensions mm	Voltage V	Input W	Safety classification	Degree of protection	Application areas and heating categories
E 700 IKP	592x1192x30 (40)	230	700	I	IP 54	Areas 1,2 (SNV 1,2) II 2G Ex e II T3
E 700 IN					IP 65	
E 700 IN-2					IP 65	

Use:

Especially for heating in industrial and agricultural applications.

Description:

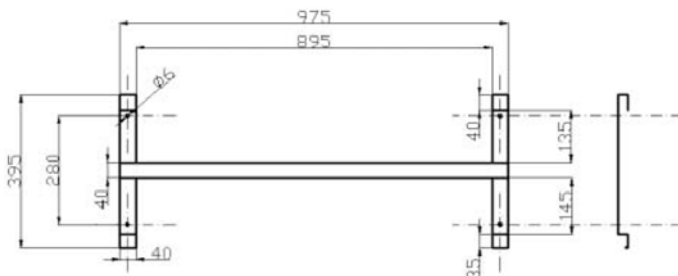
Low-temperature radiant panels are assembled from a two-part case (FeZn 0.6mm) sealed against the outside environment with sealant (IN, IN-2); all seams and openings are puttied (IKP). The heating element is a resistive conductor. The front and sides of the panel are given a special surface treatment based on dispersion acrylic paint and silica sand. The back side of the panel is not painted.

Power cords:

- E 700 IKP: rubber cord H05 RR-F 3G1
- E 700 IN: silicon cord V05SS-F 3G x 0.75
- E 700 IN-2: silicon cord V05SS-F 3G x 1 with a protective sleeve

Bushings:

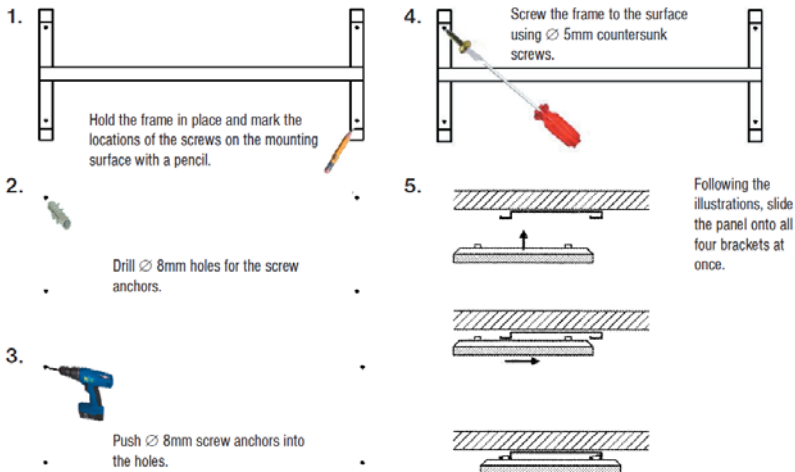
- E 700 IKP: F0705SR-5R1
- E 700 IN: plastic V-TEC PG 9
- E 700 IN-2: metal AGRO AG

Dimensions of the mounting frame:**Installation:**

Panels are installed beneath the ceilings, hung with chains or ropes. When using a mounting frame, they are attached directly to the ceiling. If the ceiling is made of a flammable material, it is necessary to mount the panels at least 5 cm from the flammable surface. Flammable objects must be at least 10 cm from the front and sides.


FENIX

Assembly using the mounting frame:



Important Reminders:

- Electric connection and first commissioning can be performed by a worker with adequate qualification.
- The temperature of the space (temperature of the surrounding air) where the radiant panel is placed must not exceed 30°C.
- The supply cord must be properly equipped for disconnecting from the power network, with the distance of the break contacts at least 3.5 mm at all poles. If the device's supply cord is damaged, it must be replaced by the manufacturer or by a service technician. E700IN and E700IN2 panels cannot be repaired.
- When connecting the panel to fixed wiring using the supply cable, it is necessary to observe the color designation for the live wires. In connecting the E700IN-2, its supply must include a residual current protection device having a trip current of ≤ 30 mA.
- In mounting the installation frame, use countersunk screws.
- We recommend that gloves be worn while handling the panel so that the surface of the radiant panel is not soiled.
- Cleaning is possible with water and detergent using a soft brush.
- The mounting frame is not part of the panel.
- It is possible to renew the paint with a base of DISKOR V2076 and a two-layer top coat of BALAKRYL V2045.
- This appliance is not intended for use by persons (including children) whose lack of physical, sensory or mental ability or lack of experience and knowledge prevents them from safely using the appliance, unless they are supervised or have received instructions regarding the use of the appliance from a person who is responsible for their safety. Children should be supervised in order to prevent them from playing with the appliance.

Terms of the warranty:

The product is covered by warranty for 24 months from the purchase date. The warranty does not cover problems incurred during transportation, improper storage or unprofessional installation.

Product type: _____ Date: _____ Stamp, signature: _____

Product number (label on the back): _____



Fenix Trading s.r.o.

Slezská 2, 790 01 Jeseník
tel.: +420 584 495 304, fax: +420 584 495 303
e-mail: fenix@fenixgroup.cz , <http://www.fenixgroup.cz>